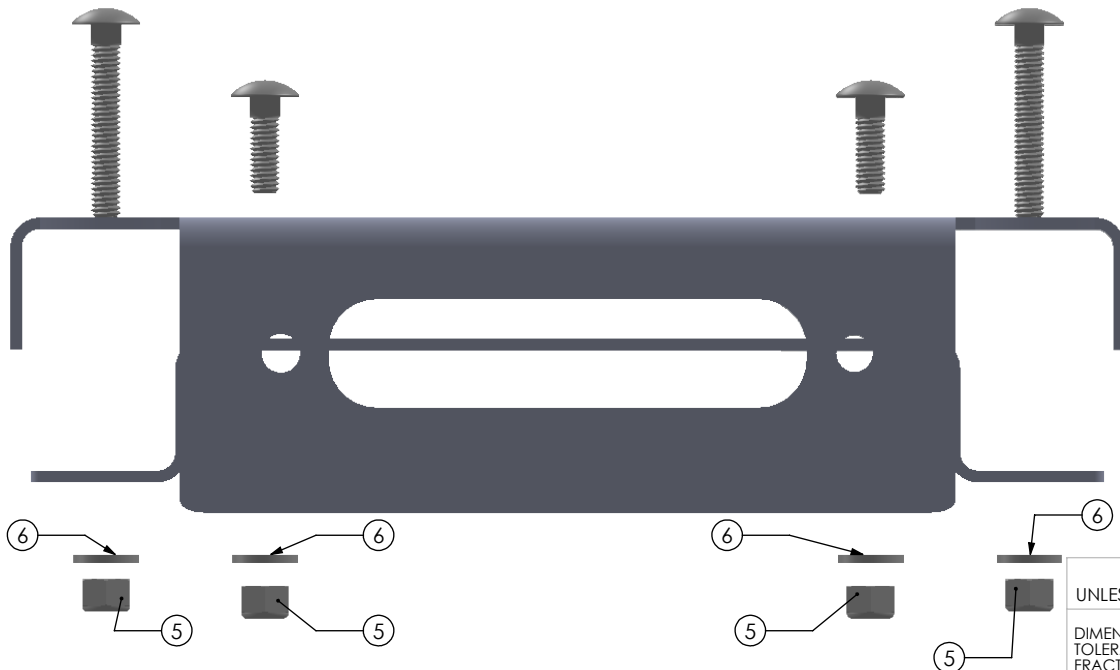
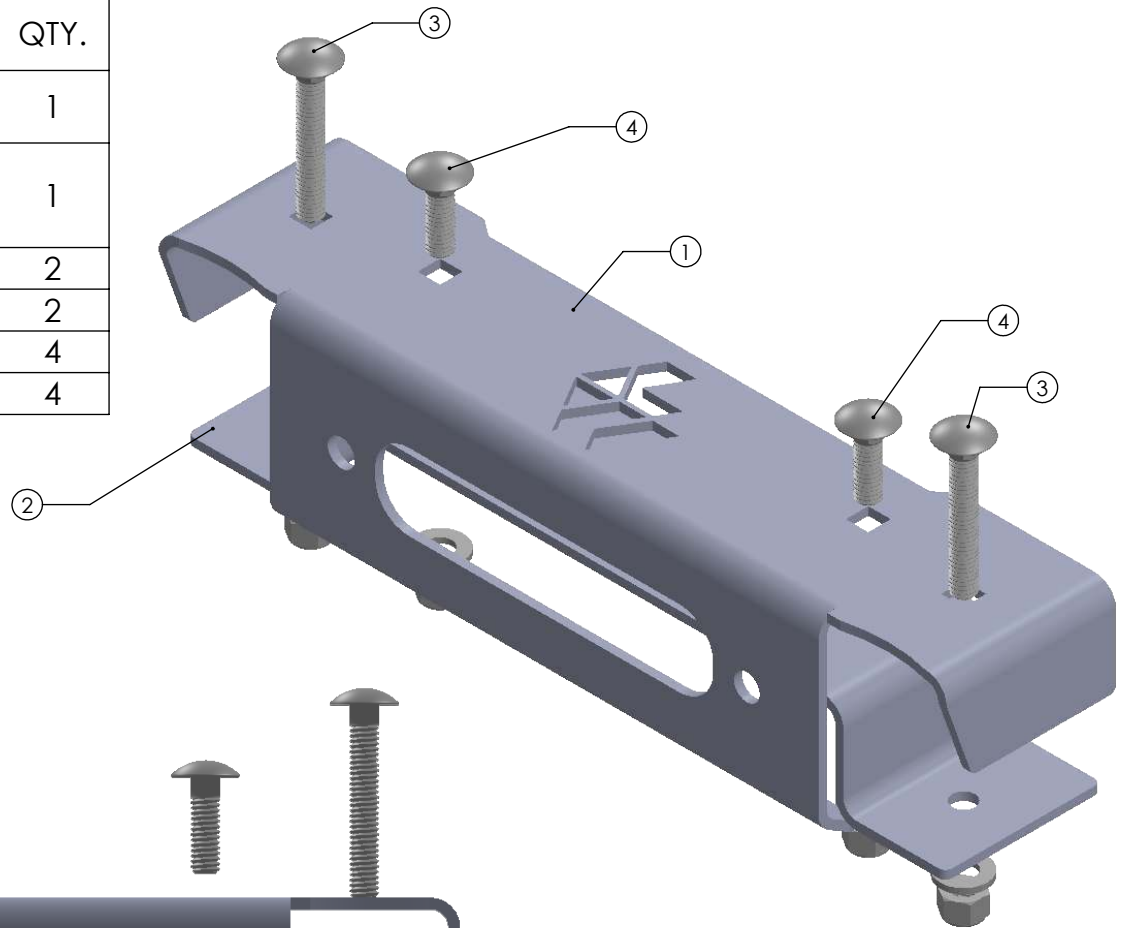


ITEM NO.	PART NUMBER	DESCRIPTION	QTY.
1	FAIRLEAD MOUNT TOP		1
2	FAIRLEAD MOUNT BOTTOM		1
3	90185A591	5/16 X 2 CARRIAGE BOLT	2
4	90185A583	5/16 X 1 CARRIAGE BOLT	2
5	97135A220	5/16 LOCK NUT	4
6	90126A030	5/16 WASHER	4



**MOUNTS SANDWICH THE FACTORY BUMPER.  
PLACE THE MOUNT AS FAR FORWARD ON THE BUMPER  
AS POSSIBLE AND TIGHTEN THE (2) 5/16 X 1" BOLTS.**

**USING A 5/16 DRILL, DRILL THROUGH THE FACTORY BUMPER  
AND PLACE THE (2) 5/16 X 2" BOLTS THROUGH AND TIGHTEN  
DOWN**

UNLESS OTHERWISE SPECIFIED:

DIMENSIONS ARE IN INCHES  
TOLERANCES:  
FRACTIONAL:  $\pm 1/16$   
ANGULAR: MACH  $\pm 1$ . BEND  $\pm .5$   
TWO PLACE DECIMAL:  $\pm .01$   
THREE PLACE DECIMAL:  $\pm .005$



DRAWN: CHET G.

TITLE:

TALON FAIRLEAD MOUNT

MATERIAL

SCALE: 1:5

WEIGHT:

SHEET 1 OF 1