

INSTALLATION GUIDE

Can Am™ X3 Seat Mount Kit: #5601



Fitment:

Installs driver and passenger side Force-1 seats into Can Am™ X3 models 2017-current.

PARTS INCLUDED

2 RH Slider Brackets	8 M8 Bolts
2 LH Slider Brackets	8 5/16"-18 Nyloc nuts
2 RH Seat Brackets	8 5/16" Carriage bolts
2 LH Seat Brackets	8 5/16" Flat washers

TO ENSURE YOUR SAFETY AND THE SAFETY OF OTHERS AND AVOID PROPERTY DAMAGE OR LOSS, PLEASE PAY CLOSE ATTENTION TO ALL INSTRUCTIONS, WARNINGS, CAUTIONS AND ATTENTION NOTES REGARDING THE USE AND CARE OF THIS PRODUCT.

NOTE: STRICTLY OBSERVE THE FOLLOWING GUIDELINES IN ORDER TO USE THE PRODUCT PROPERLY AND AVOID POTENTIALLY DANGEROUS ACCIDENTS

STEP 1

Remove the bottom cushion of each stock seat and, using a 13mm socket, extract the four bolts shown (figure 1) to remove seats. NOTE: Retain stock bolts as they will be used in step 2.



figure 1. Stock seat (bottom cushion removed)

STEP 2

Position "R" slider bracket onto roller assembly on the inside, driver side slider rail and re-install two of the bolts removed in step 1 (figure 2). Repeat with the "L" bracket on the outside slider rail.

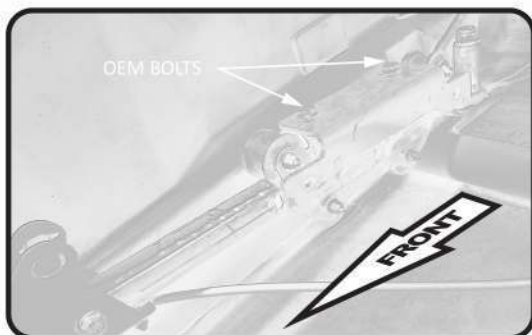


figure 2

STEP 3

Repeat the process from Step 2 for the passenger side, but the "R" bracket is positioned on the outside slider rail this time.

STEP 4

Place your new Force-1 seat on a clean surface, bottom facing up. Insert 4 carriage bolts up through the slots in the front and rear cross-bars. Install seat brackets as shown (figures 3, 4), 3-hole feature positioned to the rear.

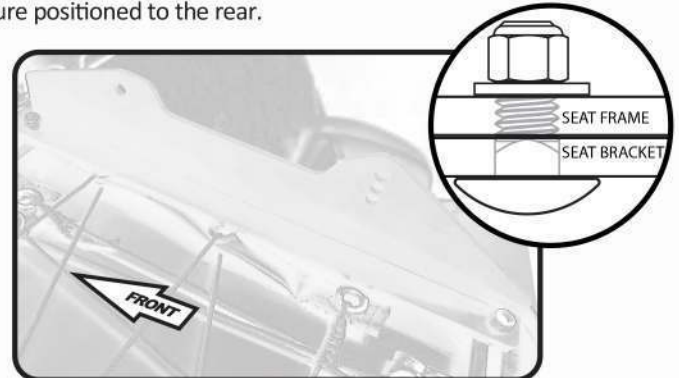


figure 3

STEP 5

The brackets should be centered on the seat, spaced 12 1/4" outside to outside (figure 4).

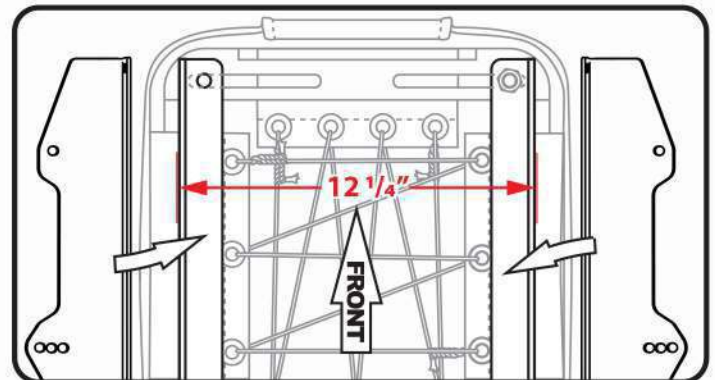


figure 4

STEP 6

Place seat in vehicle, insert one M8 bolt into each of the front holes. We recommend starting with the middle position in the rear. Tighten all four bolts. Repeat process on other seats.

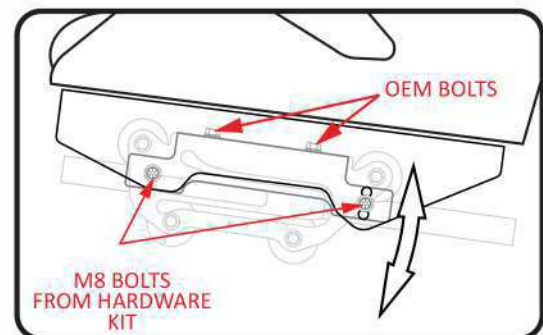


figure 5