



**INSTALLATION INSTRUCTIONS / OWNER'S MANUAL:
AUDIO MINI
OFF-ROAD SOUND SYSTEM FOR CAN-AM DEFENDER FULL CAB /
DEFENDER MAX FULL CAB MODELS**

www.hoppeindustries.com
22667 FM 15 Troup, TX 75789
(262) 552-2770

Thank you for choosing the Hoppe *Audio Mini* off-road sound system. We hope you enjoy the off-road sound system, and we ask that you follow these instructions very closely. Doing so will save you time and ensure that your experience with the new *Audio Mini* is a positive one.

We strongly suggest that you read the complete instructions before beginning the installation process to eliminate the possibility of performing unnecessary work.

Having a safe and clean environment and using the proper tools is essential for a successful installation.

It is critical that proper eye wear, ear protection, and protective clothing is worn throughout the top installation.

When you receive your *Audio Mini* off-road sound system, please check to ensure that all parts and hardware are included. If there are any parts missing or if you have any questions concerning the system at this time call Hoppe at (262)-552-2770 Mon-Thur. 8am-5pm CST or Friday 8am -12pm CST. Or you can email us at tech@hoppeindustries.com.

Hoppe reserves the right to change specifications, equipment, or designs at any time without notice and without incurring obligation.

TABLE OF CONTENTS

| | |
|---|---|
| SECTION 1 – <i>Tools Required</i> | 4 |
| SECTION 2 – <i>About your Audio Mini sound system</i> | 4 |
| 2.1 Applicable Year Models: | 4 |
| 2.2 Audio Equipment Details:..... | 4 |
| 2.3 Warranty: | 5 |
| 2.4 Care and Maintenance: | 5 |
| 2.5 Warnings:..... | 6 |
| SECTION 3 – <i>Pre-Installation Inspection</i> | 7 |
| SECTION 4 – <i>Installation</i> | 8 |



SECTION 1 – Tools Required

- Socket wrench set
- Combination wrench set
- Wire cutters

In addition to the above items, you may need shop supplies such as electrical tape, wire ties, thread locking compound.


SECTION 2 – About your Audio Mini sound system

2.1 Applicable Year Models:

This *Audio Mini* off-road sound system is designed to fit the following Defender/Defender Max models:

- 2016-2022 DEFENDER FULL CAB
- 2018-2022 DEFENDER MAX FULL CAB
- This system is compatible with factory flip-up windshields with windshield wipers and factory roofs that come equipped on any Full Cab models.
- Full Cab models include models such as XT CAB, DPS CAB, MAX XT CAB, MAX LONE STAR CAB, LIMITED, and MAX LIMITED editions.
- This system **DOES NOT** fit Defender models without a cab.
 - HPEL-0077 is for non-cab Defender models

2.2 Audio Equipment Details:

Your *Audio Mini* off-road sound system is powered by  using their marine series audio equipment. This equipment is designed to function in all weather conditions with an IPX6 water resistance (powerful water jet) rating. The stereo is specifically engineered to provide excellent sound quality and volume in an open air environment so you can enjoy your music on the go.

To learn more details about your stereo system, you can access product information and manuals for the stereo equipment here:

- KMC2 receiver: <https://www.kicker.com/kmc2>
- Speakers: <https://www.kicker.com/41KM604W>

You can feel free to crank up the volume without much worry of harming your system. However, it is wise to use a little common sense. If you hear any distortion, back off a little.

Use the equalizer settings in your KMC2 receiver to adjust the settings to your preferences.

2.3 Warranty:

Your *Audio Mini* comes equipped with a 1 year limited warranty covering the light, the stereo equipment, and the fiberglass enclosure. The date of warranty coverage will be determined by the registration date of the warranty card or online warranty registration.

<http://www.motortrike.com/TrikeAccWarranty.aspx>

If the warranty is not registered with Hoppe, the warranty period will begin when the Audio Mini was shipped from Hoppe's factory.

2.4 Care and Maintenance:

Your off-road sound system does not require any maintenance other than an occasional cleaning. To clean your audio system, simply hose off or power wash from a distance. If needed, use a mild automotive soap and sponge or brush. Use common sense. Do not use a high pressure power washer up close where it could cut, scar, or force water beyond the design intent of the enclosure, light, or stereo equipment.

There is an inline fuse, close to the end of the chassis harness where it connects to the battery terminals. It can be accessed by pulling the cap off of the fuse holder. See Figure 1.

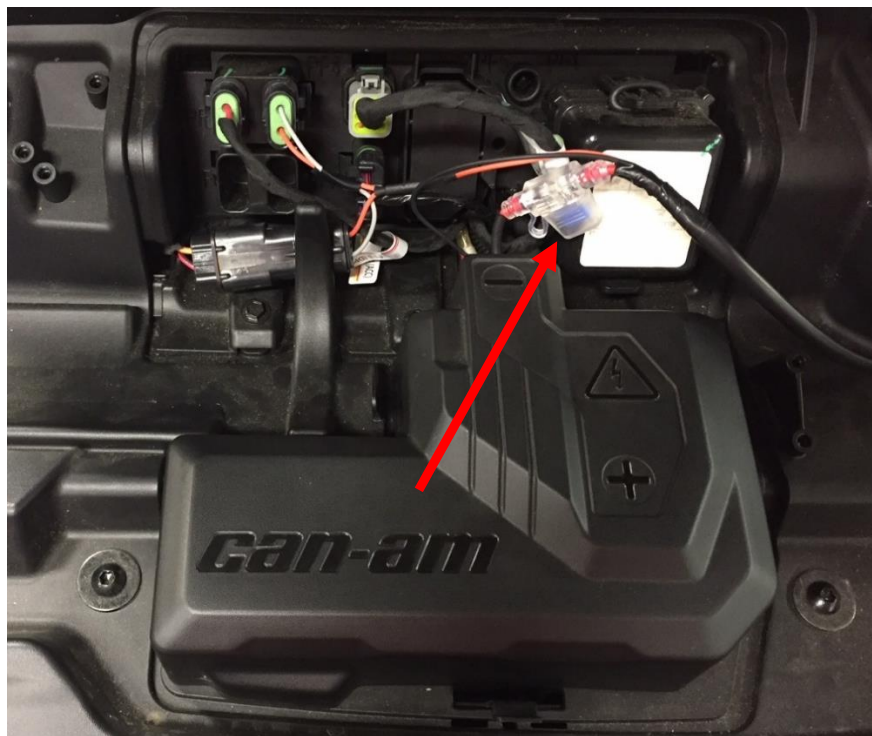


Figure 1: Fuse location.

- Fuse 1: 15 amp mini fuse for light / radio receiver power.

There is also a mini 40-amp ignition relay built into the chassis harness next to the inline fuse. See Figure 2.



Figure 2: Chassis harness ignition relay

2.5 Warnings:

This off-road system adds up to 25 lbs. to your vehicle and is located up high on the roll cage. This increases the vehicle's center of gravity and changes the vehicle dynamics and handling characteristics. Use extra caution as you learn the driving characteristics of your vehicle with your new off-road sound system installed. High speed cornering, off camber or side hill, acceleration, and braking performance will be negatively impacted by the weight of the sound system.

Do not listen to your stereo at an uncomfortable volume for extended periods of time. Potential hearing loss may result.

SECTION 3 – Pre-Installation Inspection

Included in your off-road sound system are the following components:

- Pre-assembled *Audio Mini* off-road sound system (All speakers and electronics come preinstalled with interior wire harness.)
- Chassis wire harness
- Mounting brackets
- Hardware bag
- Zip ties and cable mounts
- Alcohol wipe

If any of the parts are missing, damaged, or you have any questions concerning them, please call Hoppe at (262)-552-2770 Mon-Thur. 8am-5pm CST.

In addition to accounting for all of the parts that you should receive with the top, you should inspect the vehicle in the following ways.

- Ensure that the vehicle is equipped with the factory roll cage, and the roll cage has not been bent out of shape in a roll over.
- Make sure the vehicle does not have any aftermarket accessories that are incompatible with the top. **Note: This system is compatible with the stock flip-up windshield with wiper kit and stock roof.**
- Make sure the battery is in good condition and holds a charge.
- Make sure the charging system is in good condition.

SECTION 4 – Installation

1. Remove the 6 mounting bolts from the front roof liner and the 2 mounting bolts from the base of the rearview mirror. See Figure 3. **Note: The rearview mirror will be remounted later in the installation.**



Figure 3: Remove the front roof liner.

Follow Step 2 below for Defender MAX models, and follow Step 3 for Defender single-row models.

2. **Defender MAX models:** Remove the 8 mounting bolts to remove the center roof liner support shown in Figure 4.



Figure 4: Remove the center roof liner support. Defender MAX models only.

3. **Defender single-row models:** Remove the 2 bolts fastening the roof liner to the rear of the cab. See Figure 5.



Figure 5: Remove the bolts from the rear of the liner. Defender single-row models only.

4. Remove the screws holding each side of the front section of roof liner in place. See Figure 6.



Figure 6: Remove the screws from the sides of the front roof liner.

5. Remove the two screws mounting the dome light, and then unplug both bullet connectors from the back of the dome light to remove the dome light and entire front roof liner. See Figure 7.

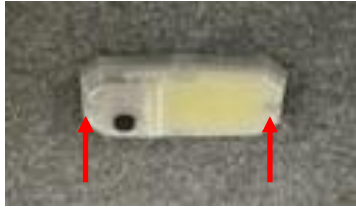


Figure 7: Remove the dome light and front roof liner.

6. For easier accessibility in the following steps, remove the three bolts holding the front section of the roof in place. See Figure 8. **Note: The hardware will be replaced when the roof is reinstalled.**



Figure 8: Remove 3 bolts to loosen the roof.

7. Remove the two bolts to remove the roof liner bracket. See Figure 9. **Note: The mounting hardware will be reused to mount the *Audio Mini* brackets.** Driver side shown. (Passenger side similar)



Figure 9: Remove the roof liner brackets. Driver side shown. (Passenger side similar)

8. Remove the four bolts holding the center bracket in place. See Figure 10. **Note: 2 bolts and nuts will be reused later in the installation to remount the rearview mirror, and 1 bolt and nut will remount the terminal block in the following steps.**



Figure 10: Remove the center roof liner bracket.

9. To remove the 3-post terminal block from the bracket, carefully drill out the rivets from the front side and remove the rivets from the terminal block. See Figure 11.



Figure 11: Drill and remove rivets to remove terminal block.

10. Remove the harness connector from the bracket, and clip the connector into the visor hole. Reuse one bracket mounting bolt and nut to mount the terminal block to the visor. Snugly zip tie the small connector to the fluid hose to prevent it from rattling. See Figure 12 and Figure 13.

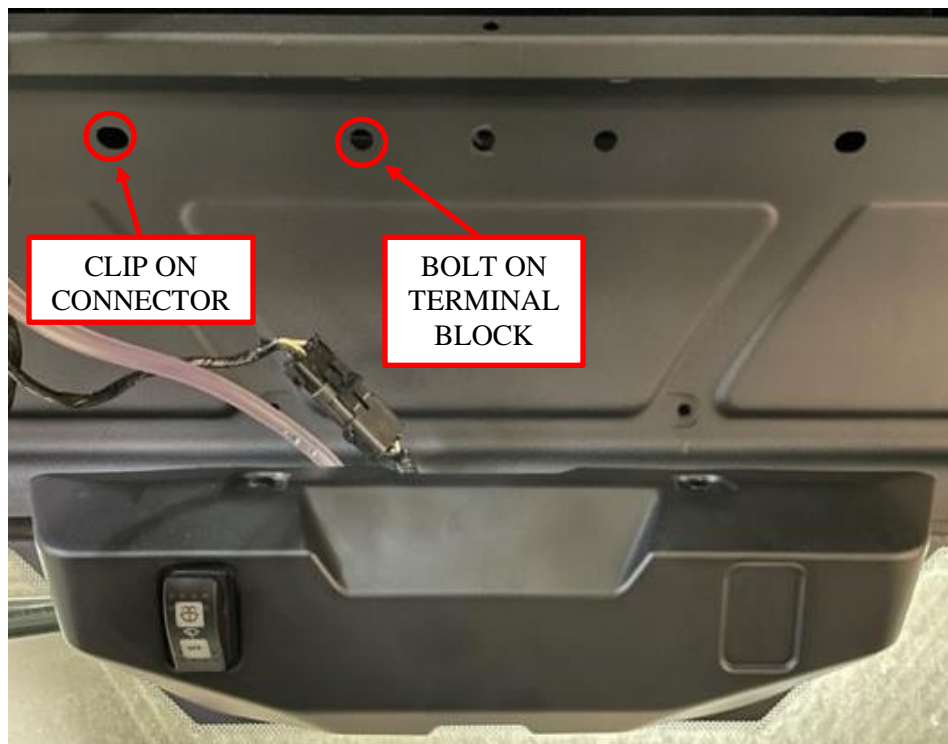


Figure 12: Visor hole locations to remount harness items.



Figure 13: Harness items mounted to visor.

11. Align the *Audio Mini* mounting brackets with the holes shown in Figure 14. Reusing the factory bracket bolts and nuts, mount the *Audio Mini* brackets and loosely tighten the nuts to allow for adjustment of the *Audio Mini* placement. Verify correct orientation of the mounting brackets. See Figure 15.

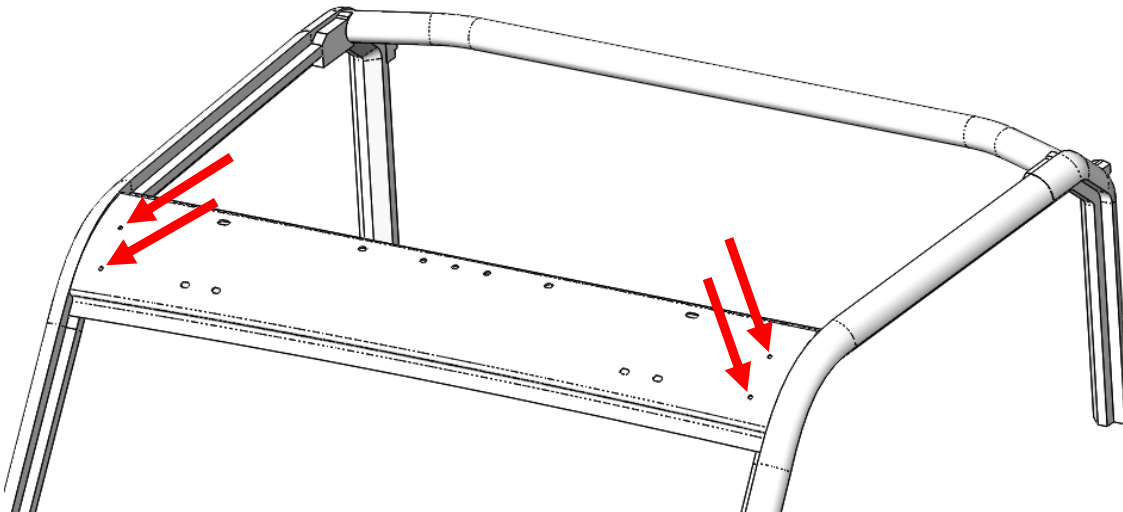


Figure 14: *Audio Mini* bracket mounting locations.

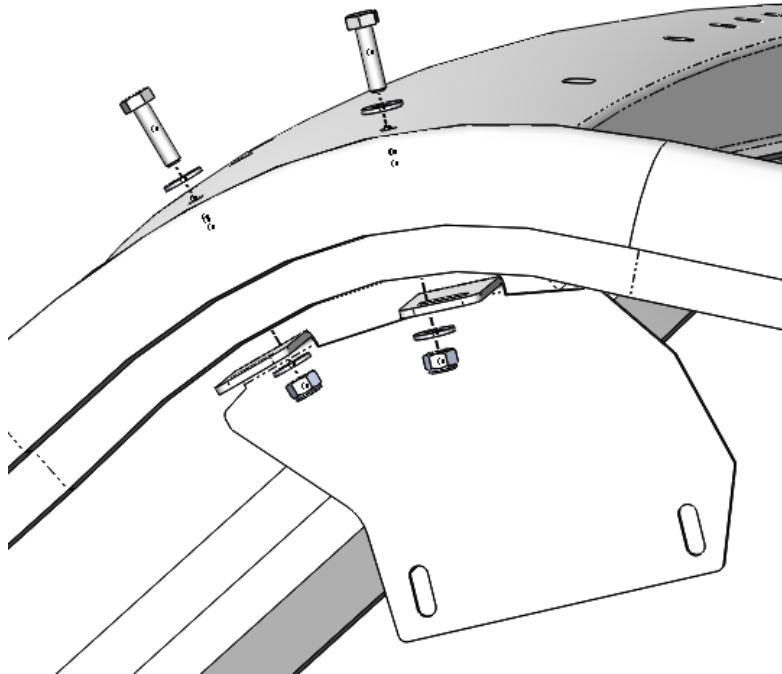


Figure 15: Mounting the *Audio Mini* brackets. Driver side shown. (Passenger side similar)

12. Run the chassis harness behind the *Audio Mini* mounting bracket before mounting the unit to the brackets. See Figure 16.



Figure 16: Placement of the chassis harness connector before mounting the unit.

13. Connect the harnesses and place the connectors on top of the unit towards the visor space. See Figure 17.



Figure 17: Harness connection on top of unit before mounting.

- Using an assistant, hang the *Audio Mini* off-road sound system on the brackets using the supplied $\frac{1}{4}$ "-20 bolts and washers (loosely tightened). **Note: The sound system weighs up to 25 lbs. Since you will have to lift and bolt each end, it is helpful to have an assistant for this step.** See Figure 18 and Figure 19. Driver side shown. (Passenger side similar)

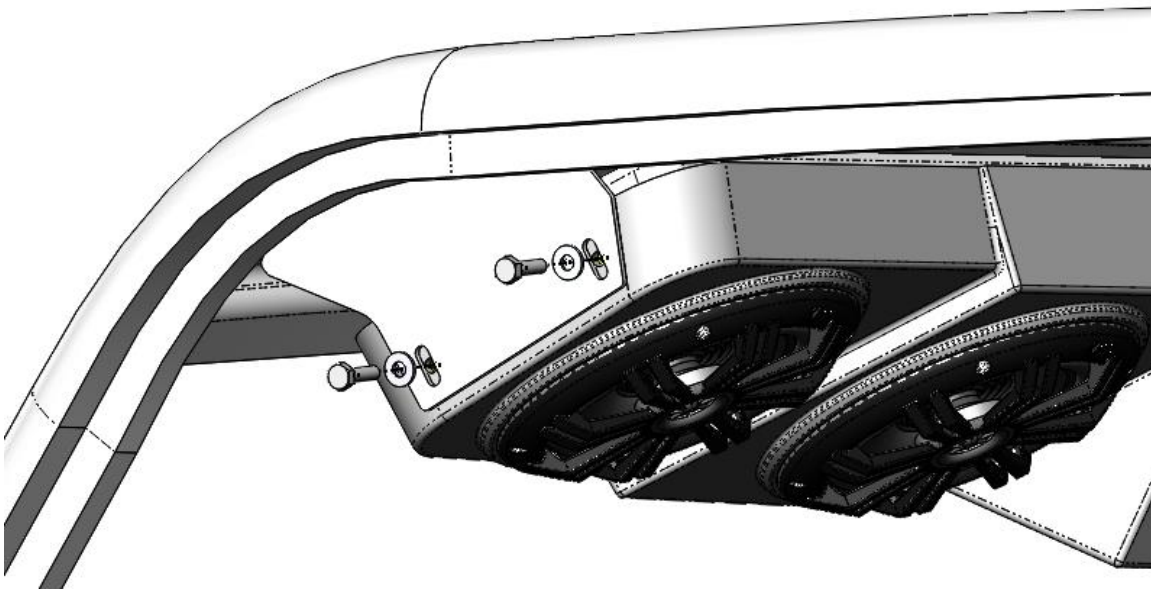


Figure 18: Install the $\frac{1}{4}$ "-20 bolts and washers to mount the Audio Mini to the brackets.

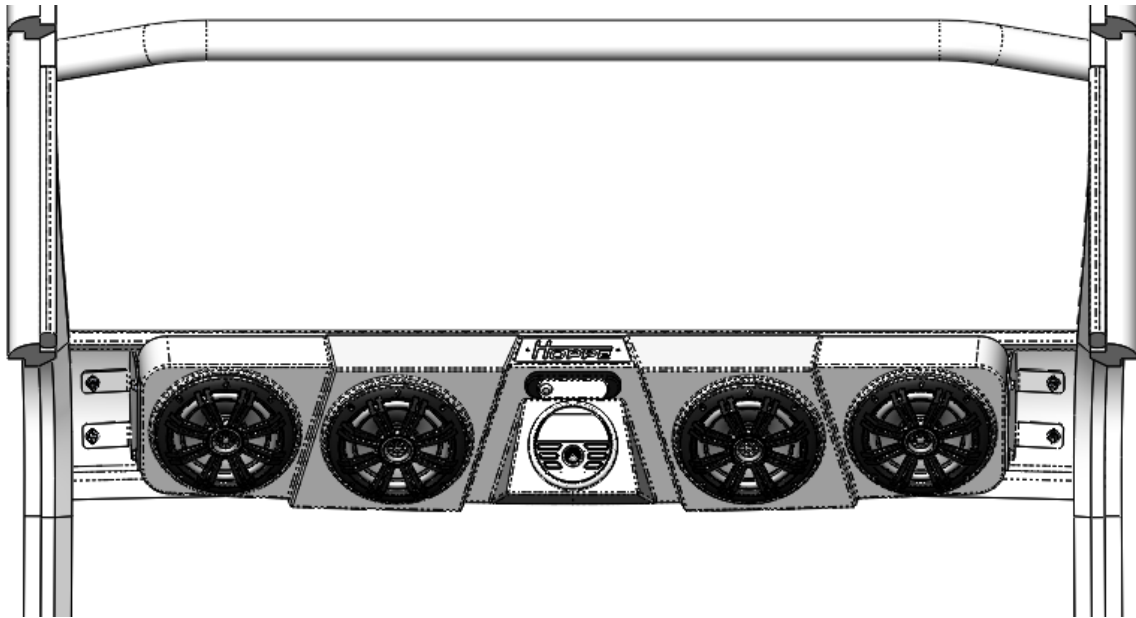


Figure 19: Loosely install the sound system on the mounting brackets.

15. Leave the *Audio Mini* hanging loosely on the brackets, and reinstall the roof at this time. Use the 5/16"-18 bolts and hardware to remount the front roof to the visor. See Figure 8.
16. Tighten the 4 visor-mounting bolts so that the rear edge of the *Audio Mini* is parallel to the rear edge of the visor. See Figure 20.

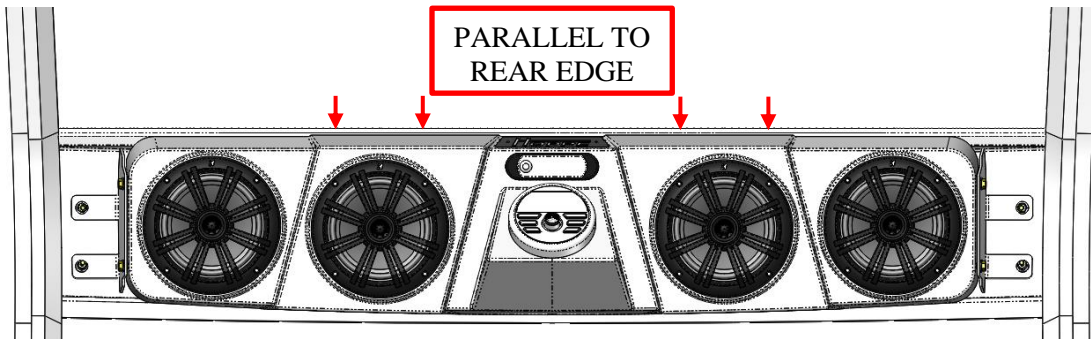


Figure 20: Audio Mini rear edge parallel to rear edge of visor.

17. Tighten the 4 mounting bracket bolts after achieving the desired viewing position. Slots in the brackets allow up-down movement. See Figure 21.

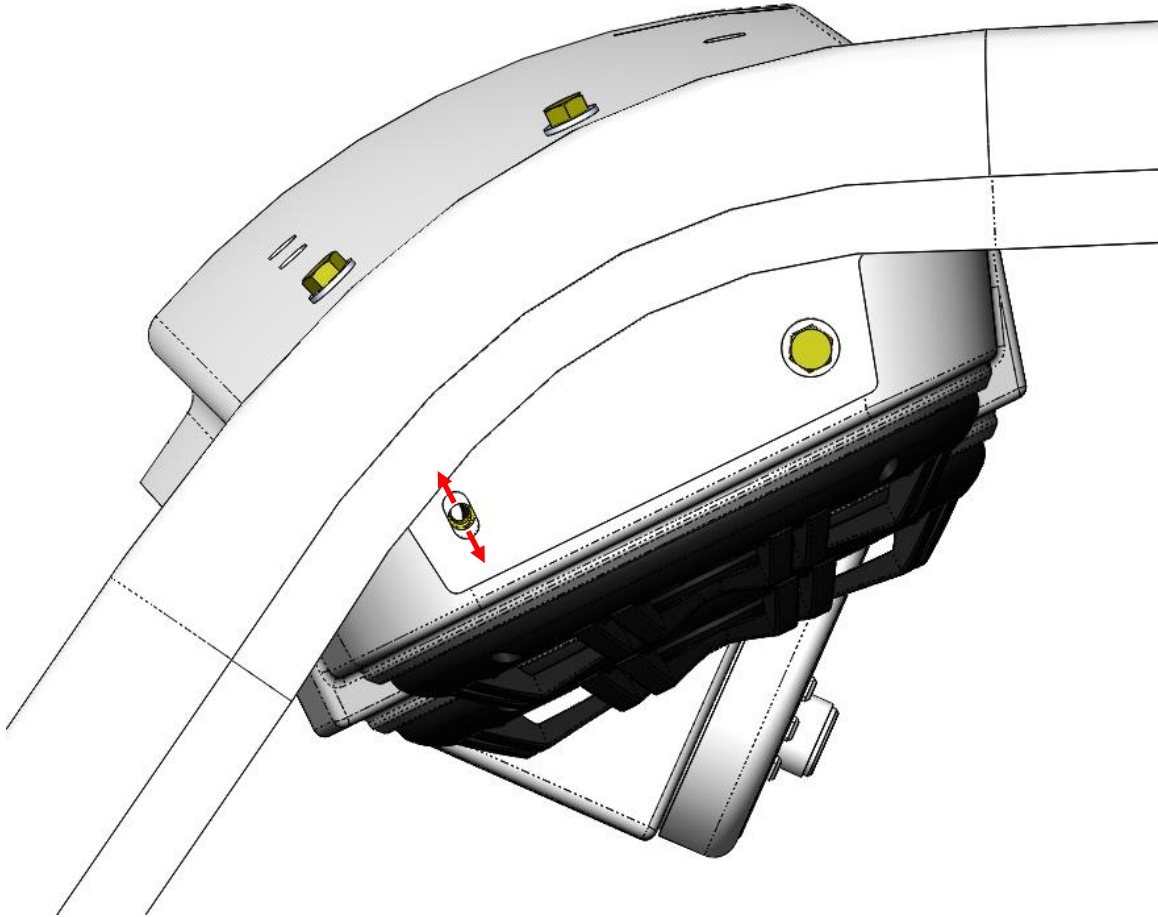


Figure 21: Up-down positioning of the Audio Mini.

18. Using the provided self-drilling screws, attach the rearview mirror bracket to the square cross brace tube on the visor. Center the bracket in the middle of the cage, making sure it is flush with the bottom of the square tube. See Figure 22.

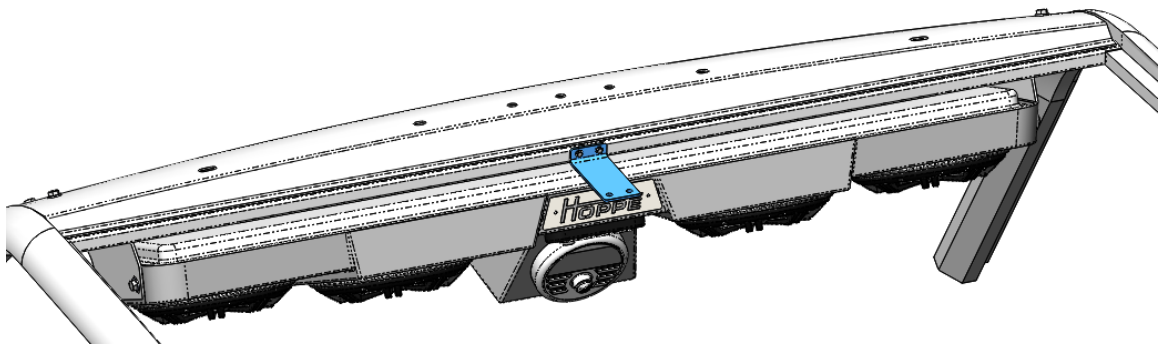


Figure 22: Mount the rearview mirror bracket.

19. Reinstall the front roof liner, dome light, and center roof liner support (if equipped). See Figure 4, Figure 5, Figure 6, and Figure 7. The front edge of the

roof liner installs on top of the visor's rear edge with the liner laying straight across the top of the rearview mirror bracket and rear edge of the *Audio Mini*.

20. Mount the rearview mirror to the rearview mirror bracket, reusing the factory hardware from the center roof liner bracket. See Figure 23.



Figure 23: Mount the rearview mirror on the bracket.

21. Route the chassis harness, using the provided zip ties and cable mounts, down the driver's front pillar. Zip ties and mounts are at the indicated locations. Using the provided alcohol wipe, clean the cage surface thoroughly before applying the cable mounts. Apply the cable mounts to the inside surface of the A-pillar. See Figure 24.



Figure 24: Route the chassis harness down the driver's front pillar.

22. Lift the radiator hood access panel by pulling the hood towards the front of the vehicle, lifting the front end, and locking the hood in the resting position. See Figure 25.

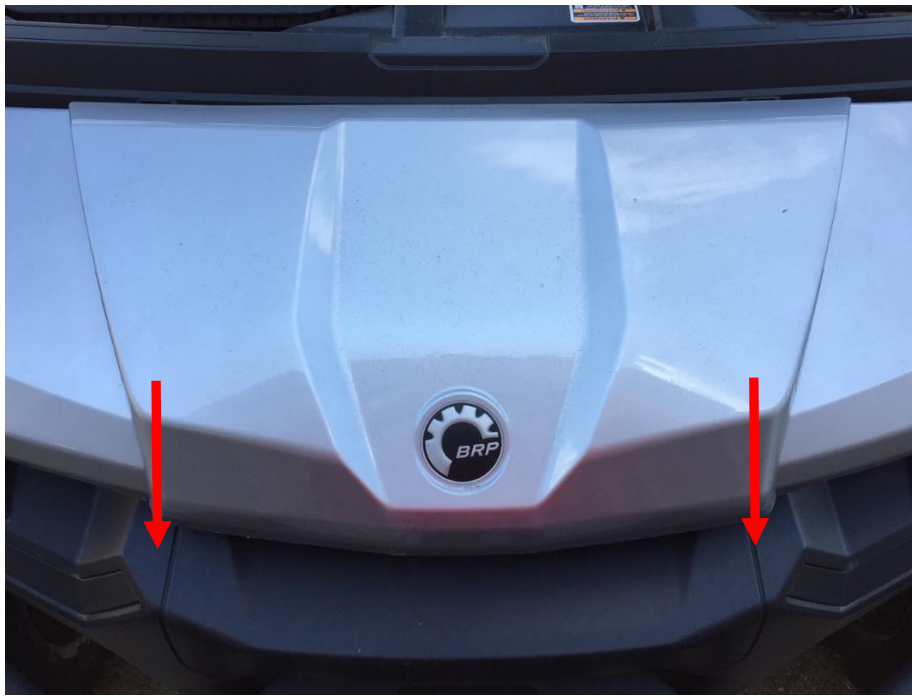


Figure 25: Lift the radiator hood access panel.

23. Remove the right plastic rivet to route the wiring under the plastic panel. The plastic rivet is released by first prying the center head up, then pulling the entire rivet out. Gently pull the chassis harness under the plastic panel and into the hood area. See Figure 26.



Figure 26: Remove the plastic rivet to run the chassis harness under the panel.

24. Unplug the factory fuse holder in port PF4. See Figure 27.

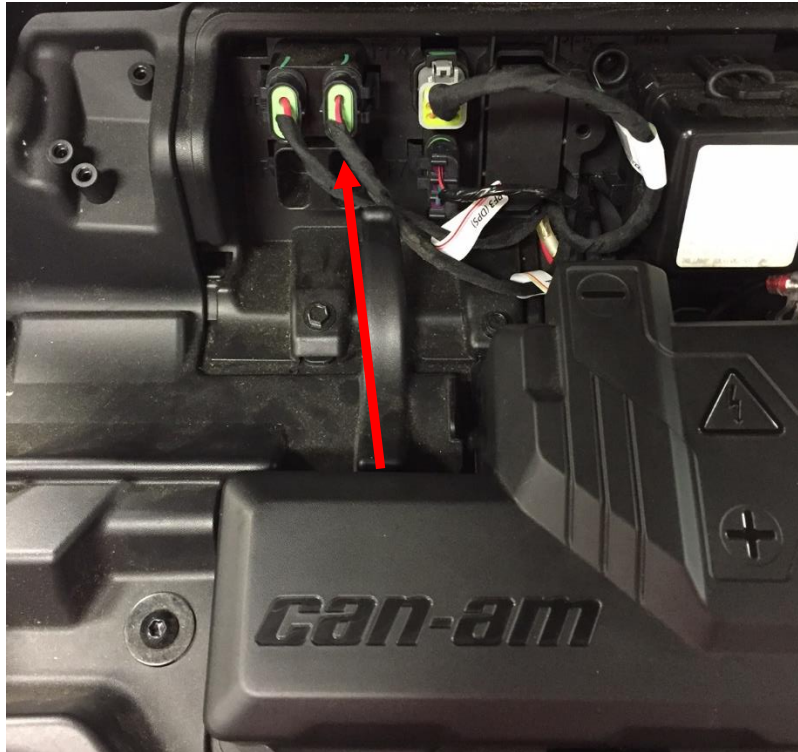


Figure 27: Accessory port connection.

25. Remove the 40 amp fuse from the factory fuse holder and place into the matching connector on the chassis harness. See Figure 28 and Figure 29.

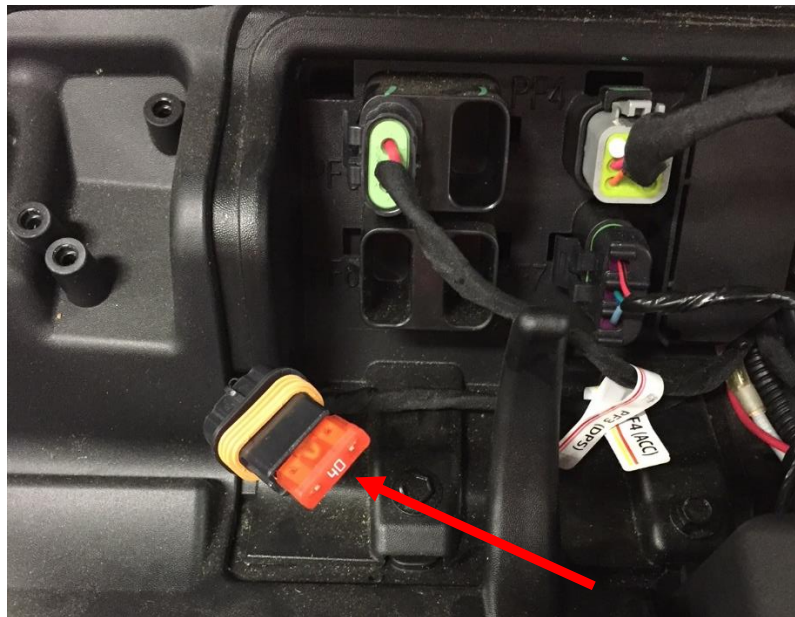


Figure 28: Factory fuse and fuse holder.

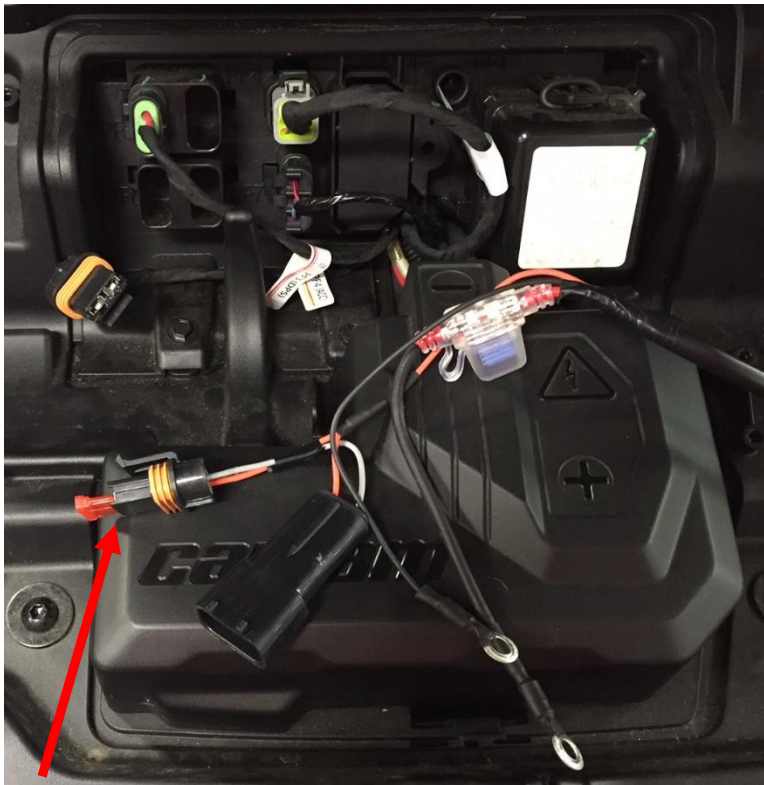


Figure 29: Place the fuse into the chassis harness connector.

- 26.** Place the chassis connector with the fuse back into port PF4. Connect the factory fuse holder with the mating chassis connector. Remove the junction block cover. Connect the red power wire to the positive terminal of the junction block. Connect the black ground wire to the negative terminal of the junction block. Use the supplied M6 x 1.0 nuts to clamp the cables on top of the existing junction block cables. See Figure 30. **Note: Secure the harness relay in an upright position to eliminate possible water intrusion into the relay.**

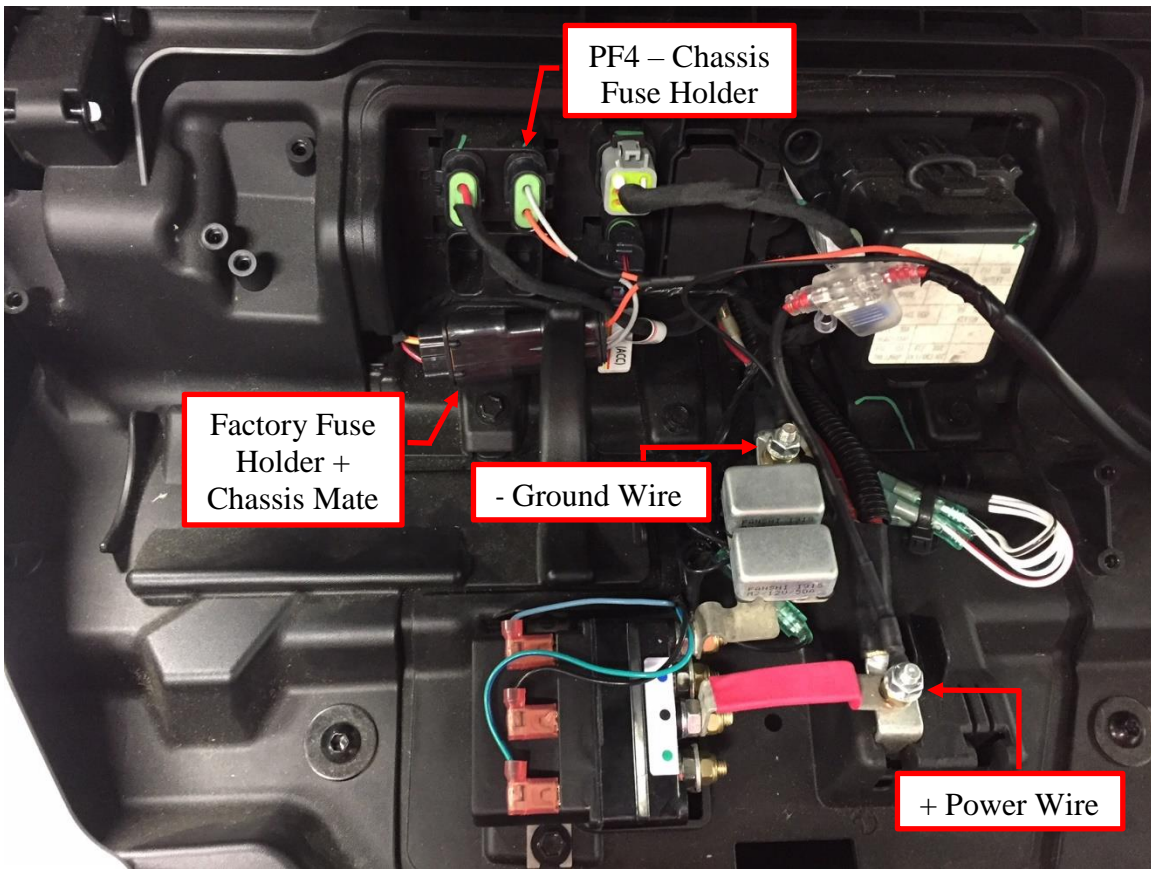


Figure 30: Attach the chassis harness and power wires.

27. Reinstall the junction block cover. See Figure 31.

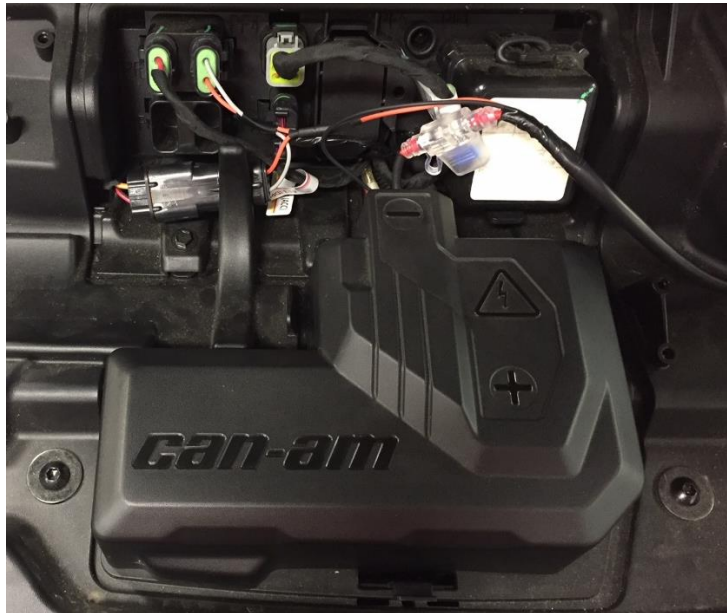


Figure 31: Reinstall the junction block cover.

28. Reinstall the hood and plastic rivet.

29. You are now ready to enjoy the music and lighting provided by your *Audio Mini* off-road sound system. Basic operation works as follows:

- Turn the vehicle ignition switch on to power up the stereo system. (You must press the power button for first time connections or if the power was previously turned off manually.)
- Press the source button on the stereo receiver to select the input source from AM/FM radio or Bluetooth.
- Press and hold the menu button to access the Device Settings menu.
 - Use the Volume knob to change the values for each setting, and press it to confirm the setting.
- Press and hold the Volume knob to access the Audio Settings menu.
 - Use the Volume knob to change the values for each setting, and press it to confirm the setting.
- The dome light can be used with or without the vehicle's ignition switch on. Press the on/off switch to activate the light. **Warning: Extended use of the dome light or stereo without the vehicle's charging system functioning will deplete the battery and the engine may not start.**

To learn about the more advanced features and operation of your stereo, visit the Kicker website links found in SECTION 2 – About your Audio Mini sound system of this document.

Thank you for choosing the Hoppe *Audio Mini* off-road sound system for your Can-Am Defender Full Cab UTV. We hope you enjoy your new sound system and lighting. We invite you, in your travels, to stop by our manufacturing plant in Troup, Texas, for a factory tour and to meet the people who designed and manufactured your *Audio Mini* off-road sound system. This will also give you an opportunity to check out our sister companies



and our extensive line of trike conversions, automotive, motorcycle, and power sports accessories.

We believe you will be impressed by what you witness and the people you will meet.